

Gated Wyes

Ordering Information

Part No.	Description
1581	Leader line wye, Pyrolite® construction, 2-1/2" FNST inlet x two (2) 1-1/2" MNST outlets, has self-locking Tork-Lok® handles for more positive handle positioning.
2580-1.5	Wye, Pyrolite® construction, 1-1/2" FNST inlet x two (2) 1-1/2" MNST outlets.
2580-1	Wye, Pyrolite® construction, 1-1/2" FNST inlet x two (2) 1" MNST outlets.
2581	Leader line wye, Pyrolite® construction, 2-1/2" FNST inlet x two (2) 1-1/2" MNST outlets.



No. 1581



No. 2581

Hydrant Wyes

Ordering Information

Part No.	Description
1582	2-way wye, Pyrolite® construction, specify inlet size: 2-1/2" to 6" FNST or Storz 4", 5", outlet is two (2) 2-1/2" MNST, has self-locking Tork-Lok® handles for more positive handle positioning.
2582	3-way wye, Pyrolite® construction, specify inlet size: 2-1/2" to 6" FNST or Storz 4", 5", outlet is three (3) 2-1/2" MNST, has self-locking Tork-Lok® handles for more positive handle positioning.



No. 1582



No. 2582

Hydrant Gate Valves

Ordering Information

Part No.	Description
2285	Pyrolite® heavy-duty seat gate with non-rising stem and crank handle, 2-1/2" FNST x 2-1/2" MNST.
2286	Pyrolite® heavy-duty seat gate with non-rising stem and crank handle, choice of 3" - 5" FNST x 3" - 5" MNST or 4" - 5" Storz.



No. 2285



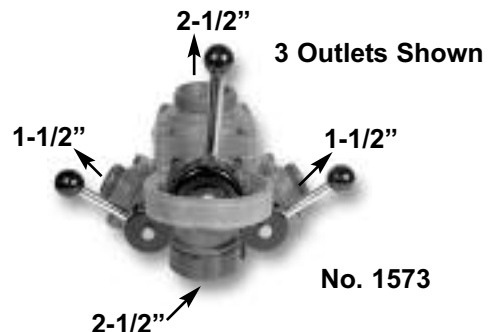
No. 2286

Water Thief

Designed for laying, extending or adding 1-1/2" lines without interfering with the operation of other lines.

Ordering Information

Part No.	Description
1573	Water thief, Pyrolite® construction, 2-1/2" FNST inlet x one (1) 2-1/2" MNST and two (2) 1-1/2" MNST outlets, has self-locking Tork-Lok® handles for more positive handle positioning.



No. 1573



No. B-100A

No. B-100A Elk-O-Lite® 2-Way Ball Valved Wye

Durable, lightweight Elk-O-Lite construction • Acetal valve balls with self-adjusting UHMWPE seats • Rugged, flexible molded urethane handles • 2.5" swivel inlet
 • Two (2) 1.5" male outlets • Optional pressure gauge • Finish red urethane enamel with hard anodized trim.



No. B-100-LA

No. B-100-LA Elk-O-Lite® 2-Way Ball Valved Wye

Same as B-100A except with 1.5" swivel inlet.



No. B-95A

No. B-95A Elk-O-Lite® 3-Way Ball Valved Wye

Durable, lightweight Elk-O-Lite construction • Acetal valve balls with adjustable neoprene seats • Positive twist lock handles • One swivel inlet available in 2.5", 3", 3.5", 4", 4.5", 5", or 6" (please specify) • Three (3) 2.5" male outlets
 • Finish red urethane enamel with hard anodized trim.



No. B-98A

No. B-98A Elk-O-Lite® 2-Way Ball Valved Siamese

Durable, lightweight Elk-O-Lite construction • Acetal valve balls with adjustable neoprene seats • Positive twist lock handles • Two (2) 2.5" swivel inlets • One swivel outlet available in 2.5", 3", 3.5", 4", 4.5", 5" or 6" (please specify)
 • Optional .75" drain valves • Finish red urethane with hard anodized trim.



No. B-99A

No. B-99A Elk-O-Lite® 3-Way Ball Valved Siamese

Durable, lightweight Elk-O-Lite construction • Acetal valve balls with adjustable neoprene seats • Positive twist lock handles • Three (3) 2.5" swivel inlets • One swivel outlet available in 2.5", 3", 3.5", 4", 4.5", 5", or 6" (please specify)
 • Optional .75" drain valves • Finish red urethane enamel with hard anodized trim.

Part No.	Thread Sizes		Length
	Inlet	Outlet	
B-100A	2.5" F	(2) - 1.5" M	5.5"
B-100-LA	1.5" F	(2) - 1.5" M	5.5"
B-95A	2.5", 3" 4" 4.5", 5", 6" F	(3) - 2.5" M	10.5"
Siamese			
B-98A	(2) - 2.5" F	2.5", 3", 4", 4.5", 5", 6" F	9"
B-99A	(3) - 2.5" F	2.5", 3", 4", 4.5", 5", 6" F	10.5"

Suction Siamese

Suction siamese with quarter turn valves provide a more positive shutoff and have Norkalon™ balls for easier operation. All 2-1/2" FNST swivel inlets are supplied with strainers and are easily removed for seat adjustments. Pyrolite® construction with red painted bodies. Equipped with Tork-Lok® handles for more positive handle positioning.



No. 1583

Ordering Information

Part No.	Description
1583	Suction siamese with two (2) 2-1/2" FNST swivel inlets. Specify outlet: 2-1/2" to 6" FNST swivel or Storz 4", 5"
2583	3-way suction siamese with three (3) 2-1/2" FNST swivel inlets. Specify outlet: 2-1/2" to 6" FNST swivel or Storz 4"



No. 2583

Clappered Siamese

Ordering Information

Part No.	Description
1262	Clappered siamese, Pyrolite® construction, two (2) 2-1/2" FNST inlets x 2-1/2" or 3" MNST outlet, includes rubber carrying handle and style 4 Drainit® drain valve
1267	Clappered siamese, Pyrolite® construction, two (2) 2-1/2" FNST inlets, specify outlet: 2-1/2" to 6" FNST, 3-1/2" to 6" MNST, or Storz 4" or 5", includes rubber carrying handle and style 4 Drainit® drain valve



No. 1262

Elbows

Ordering Information

Part No.	Description
630	30 degree suction elbow, chrome plated, available sizes: 2-1/2" F x 2-1/2" M, 3" F x 2-1/2" M, 3" F x 3" M, and 4" F x 4" M
632	90 degree suction elbow, chrome plated, body painted red, available sizes: 2-1/2" F x 2-1/2" M, 4" F x 4" M, 4-1/2" F x 4-1/2" M, and 5" F x 5" M



No. 630



No. 632

Akron® offers a wide variety of valves to meet the demands for today's fire service. Each Akron® apparatus valve features the unique Swing-Out™ design allowing quicker and easier servicing in today's complex fire apparatus. No need to remove valves from plumbing when servicing. All valve bodies and adapters are made of brass and all control parts of corrosion resistant material. Also, no flange o-rings to cut or tear during servicing. All Swing-Out™ valves are designed for operating pressures to 250 psi and every valve is factory tested in accordance with current NFPA Standards.

Swing-Out Valves

8800 Series "Self-Locking Valves"

- Designed for use with the R-1 Handle for remote operation and the TS and TSC handles for direct operation
- Available in 1" to 3-1/2" sizes

To order a valve, select the valve size 1" (8810), 2" (8820), 2-1/2" (8825), 3" (8830), 3-1/2" (8835), select the inlet and outlet adapters needed (always list the inlet adapter first), and the type of manual handle/actuator. All threaded adapters require thread information. Rigid female adapters are available only with tapered pipe thread (NPT). Hose threaded adapters are National Hose (NH) unless otherwise specified.



8825 P1-S (NPT) x ME1-S x TSC

Manual Actuators

R1

Handle for in-line valve remote rod operation



TS

Handle for direct valve control through the panel



TSC

Covered handle for exterior mounted valve



SZ

Handle with twist lock for direct control through the panel

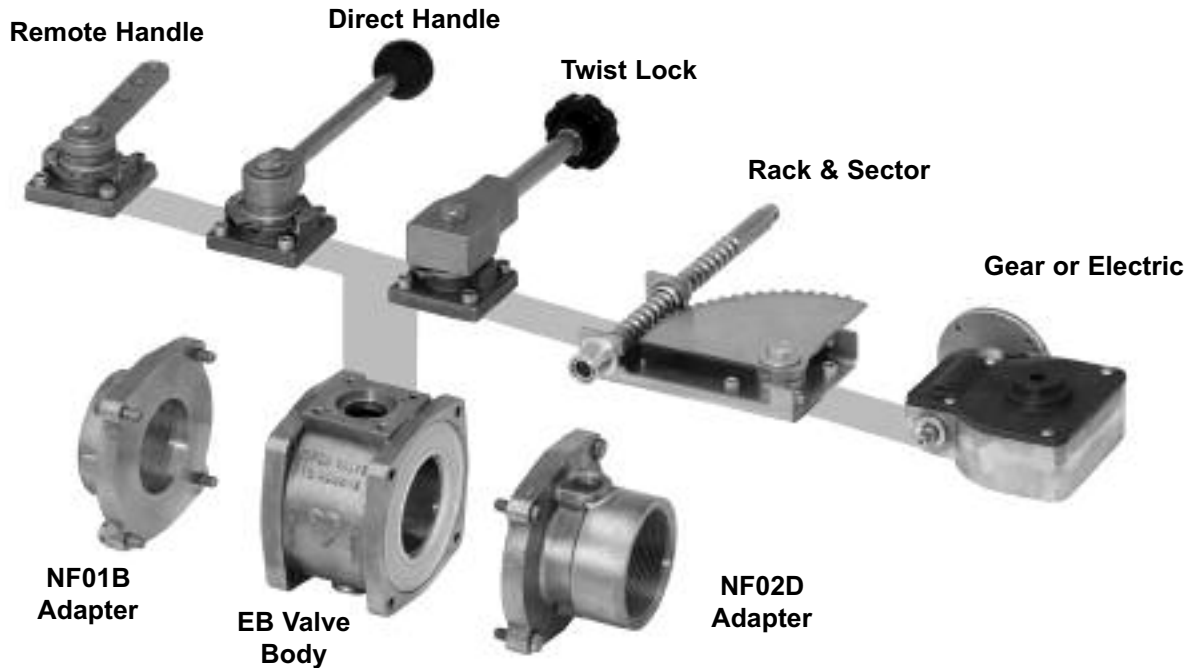


Example: 8825 P1-S (NPT) x ME1-S (NH) x TSC

**Swing-Out™ Valve Adapters
Are Available for Most Fire
Truck Applications. Contact
Us for a Complete Listing**

ELKHART UNIBODY APPARATUS VALVES

The only valve in the industry completely engineered and designed with easy, trouble-free configuration, installation, operation, and service in mind. Simple to use, just choose your valve size, your inlet and discharge adapter, and then select your actuator.



Features

- The body is constructed of corrosion resistant brass, and the ball is constructed from durable stainless steel (Models EB15 - EB35) or high strength brass alloy (No. EB40)
- Adapters (end caps) and pump flanges are constructed of either brass or stainless steel
- Dual self-adjusting seats provide bi-directional sealing and do not require O-rings which might cut and tear during servicing
- No lubrication required for seats, balls or any waterway compartment
- Swing-out construction allows for easy access to internal waterway without removing the valve from the plumbing
- Designed to be dimensionally identical to the Akron Brass apparatus valves for cross compatibility
- The actuator assembly can be bolted onto the valve body without the need to break the internal plumbing of the truck
- Actuators are interchangeable so that the Unibody Valve may be easily converted to a different activation type without the need to break the waterway
- Manual handles may be easily changed to different positions by removing a single bolt
- Pressure rated to 250 psi
- Pressure tested to 800 psi (Nos. EB15 - EB35); 500 psi (No. EB40)
- A slow close device is available for all 1-1/2" through 3-1/2" valve and simply bolts to actuator
- Meets or exceeds NFPA 1901 standards

Part No.	Size	Ball Type	Length
EB15	1-1/2"	Round	3"
EB20	2"	Round	3"
EB25	2-1/2"	Round	3-1/2"
EB30	3"	Round	4"
EB35	3-1/2"	Round	4"
EB40	4"	Flat	4"

Contact us for a complete listing of inlet and discharge adapters and actuators

ELKHART UNIBODY ELECTRIC VALVE CONTROLLERS

Unibody Controllers for Elkhart Brass Unibody Valves are available in three styles from basic to full display of flow and pressure. All styles are completely self contained in the same size housing and require no additional modules to wire or mount and are suitable for operation with any supply voltage between 12V and 24V DC. Valve position is displayed from closed to full open in 10% increments and a preset button is programmable for any position. Ultra-bright LED displays are visible in sunlight and automatically dim at night. Unibody Controllers may be operated via external switches or networked for master-slave operation with remote display.



No. UBEC1

Selection Chart

Part No.	Displays		
	Valve Position	Pressure	Flow
UBEC1	X		
UBEC2	X	X	
UBEC3	X	X	X

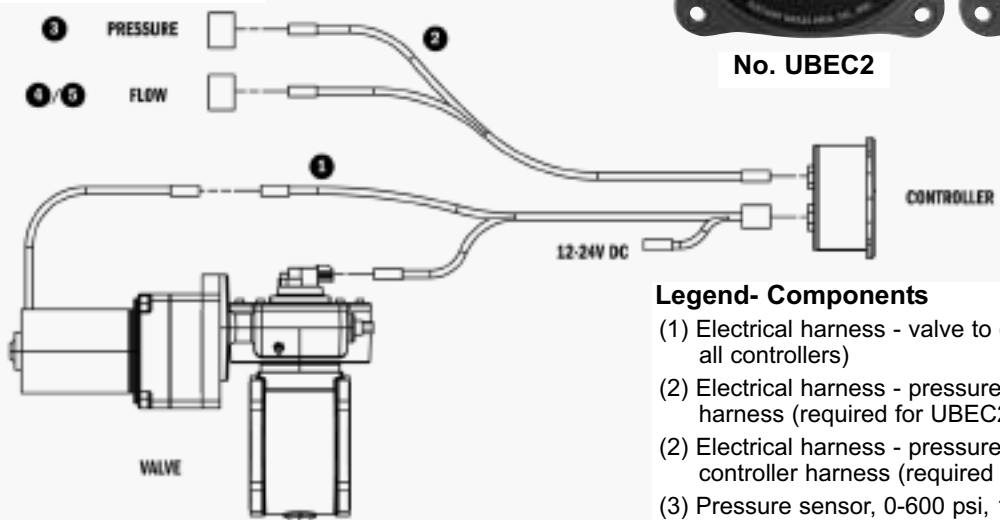


No. UBEC2



No. UBEC3

Controller Wiring



Legend- Components

- (1) Electrical harness - valve to controller (required for all controllers)
- (2) Electrical harness - pressure sensor to controller harness (required for UBEC2)
- (2) Electrical harness - pressure and flow sensors to controller harness (required for UBEC3)
- (3) Pressure sensor, 0-600 psi, 1/4" NPT (required for UBEC2 or UBEC3)
- (4) Flow sensor - installs in Unibody Valve adapter equipped with a sensor port (required for UBEC3)
- (5) Flow sensor - provide with saddle clamp (required for UBEC3)

Pressure Sensors



End Cap Flow Sensors



Saddle Clamp Flow Sensors



No. 337, 356



No. 335



No. 336



No. 345



No. 347



No. 337 Rigid Female to Male Adapter
3/4" GHT x 1"
1" x 3/4" GHT
1" x 1"
1" x 1-1/2"
1-1/4" x 1"
1-1/2" x 3/4"
1-1/2" x 1"
1-1/2" x 1-1/2"
1-1/2" x 2"
1-1/2" x 2-1/2"
2" x 1"
2" x 1-1/2"
2" x 2"
2" x 2-1/2"
2-1/2" x 3/4" GHT
2-1/2" x 1-1/2"
1-1/2" x 1"
2-1/2" x 1-1/2"
2-1/2" x 2"
2-1/2" x 2-1/2"
2-1/2" x 3"
2-1/2" x 3-1/2"
3" x 1-1/2"
3" x 2-1/2"
3" x 3"
3" x 3-1/2"
3-1/2" x 2-1/2"
3-1/2" x 3"

No. 356 Rigid Female to Male Adapter
2-1/2" x 4"
3-1/2" x 4"
4" x 2-1/2"
4" x 3"
4" x 3-1/2"
4" x 4"
4" x 4-1/2"
4" x 5"
4" x 6"
4-1/2" x 2-1/2"
4-1/2" x 3"
4-1/2" x 4"
4-1/2" x 4-1/2"
4-1/2" x 5"
4-1/2" x 6"
5" x 2-1/2"
5" x 3"
5" x 4"
5" x 4-1/2"
5" x 5"
5" x 6"
6" x 3"
6" x 4"
6" x 4-1/2"
6" x 5"
6" x 6"

No. 335 Double Female Swivel Adapter
1-1/2"
2"
2-1/2"
3" x 2-1/2"
3"

No. 336 Double Male Adapter
1-1/2"
2"
2-1/2"
3" x 2-1/2"
3"

No. 345 Hose Cap
3/4" GHT
1"
1-1/2"
2"
2-1/2"
3"
3-1/2"

No. 347 Hose Plug
1-1/2"
2"
2-1/2"
3"
3-1/2"
4"
4-1/2"
5"
6"

No. 337 Rigid Female to Male Adapter - Brass & Pyrolite[®]

No. 356 Rigid Female to Male Adapter - Brass & Pyrolite[®]

No. 335 Double Female Adapter - Brass & Pyrolite[®]

Double swivel for changing male threads to a female thread with swivel.

No. 336 Double Male Adapter - Brass & Pyrolite[®]

For changing threads from female to male.

No. 345 Hose Cap - Brass

For capping male threads. All sizes available with rocker lug, 2" and 3" available with long handle. Chain optional on all sizes.

No. 347 Hose Plug - Brass

For plugging female threads. All sizes available with rocker lug. Chain optional through 4".

To Order: Select the appropriate part number, size required, material type: (C) cast brass, (CP) chrome plated brass, (P) Pyrolite[®] and thread type: NH, NPSH, NPT. If optional chain is desired add (CH) to part number. (example: Adapter No. 335P-2.5-NH)

No. 310 Brass Rocker Lug Cap

- Rugged cast brass rocker lug cap
- For hose threads only
- Available 1", 1-1/2", 2", 2-1/2", 3", 4" and 4-1/2"
- Available with 9" chain at extra cost
- Finish cast brass or chrome plated



No. 311 Brass Rocker Lug Plug

- Rugged cast brass rocker lug cap
- For hose threads only
- Available 1-1/2", 2-1/2" and 3"
- Available with 9" chain at extra cost
- Finish cast brass or chrome plated



No. 310 Long Handle Brass Cap

- Rugged cast brass cap with long handles
- For hose threads only
- Available 2-1/2", 4", 4-1/2", 5", and 6"
- Finish chrome plated



No. A-327A Lightweight Female To Male Adapter

- Elk-O-Lite® construction
- Available 2-1/2" x 1-1/2" & 2-1/2" x 2-1/2"
- For hose threads only
- Finish hard anodized

No. A-327 Brass Female To Male Adapter

- Elk-O-Lite® construction
- Available 2-1/2" x 1-1/2" & 2-1/2" x 2-1/2"
- For hose threads only
- Finish hard anodized



No. F-327A Lightweight Double Female Adapter

- Durable, lightweight Elk-O-Lite® adapter
- Three piece double swivel
- Only available 2-1/2" NH x 2-1/2" NH
- Finish hard anodized

No. F-327 Brass Double Female Adapter

- Rugged cast brass adapter
- For hose threads only
- Available 1-1/2", 2-1/2" and 3"
- Three piece double swivel
- Finish cast brass or chrome plated

No. M-327A Lightweight Double Male Adapter

- Durable, lightweight Elk-O-Lite® adapter
- Available 2-1/2" NH x 2-1/2" NH
- Finish hard anodized



No. M-327 Brass Double Male Adapter

- Rugged cast brass adapter
- For hose threads only
- Available 1-1/2", 2-1/2" and 3"
- Finish cast brass or chrome plated

Lightweight Adapters - 3/4" to 6"

Made from hard coated extruded 6061-T6 lightweight aircraft aluminum alloy. Swivels on the adapters are attached with a piston ring, stainless balls, or roller bearings.

Ordering Information - Specify Size Each End - 3/4" to 6"

Part No.	Description
AA135	Double female swiveling adapter, with rocker lug, for changing from male thread to swiveling female
AA157	Double female swiveling adapter, with long handles, for changing from male thread to swiveling female
AA136	Double male adapter, with rocker lug, for changing from female to male
AA137	Rigid female to male adapter with rocker lug
AA156	Rigid female to male long handle adapter
AA153	Double female swiveling adapter, rocker lug one end, long handle other end

Color Code Your Couplings

Protect and identify your adapters and hose couplings with a wide range of colors. The Acucoat® process is applied over the top of the hard coated surface, so as not to interfere with bearing surfaces and thread integrity. Only the outside exposed body of the union is coated providing a long lasting and durable surface that you will come to depend on. Standard colors are: red, black, yellow, purple, green, orange, white and blue. Adapters can also be chrome plated.



No. AA135 - 2.5 x 2.5



No. AA157 - 4 x 4



No. AA136 - 2.5 x 2.5



No. AA137 - 2.5 x 1.5



No. AA156 - 2.5 x 1.5



No. AA153 - 4 x 2.5
(Chrome)

Wyes, Valves, & Adapters

Ordering Information

Part No. Description

Spanner Wrenches

10 **Universal Spanner Wrench**, for 3/4" to 3" rocker lug and pin lug couplings. Features a belt hook eye, hammer head and gas cock. Length 11-1/2".



No. 10

19 **Universal Suction Spanner Wrench**, for long handle, rocker or pin lug couplings from 2-1/2" to 6". Open end slips over long handles for additional leverage. Opposite end can be used as a pry bar or crowbar. Length 18-3/4".



No. 19

25 **Hole Type Spanner Wrench**, for hole type, rocker lug and pin lug couplings. Plated for corrosion resistance. Specify either 3/4" - 1" or 2-1/2" size. Akrolite™ construction. Length 7".



No. 25

46 **Fitzall Combination Spanner Wrench**, designed to fit rocker lug and pin lug couplings from 3/4" to 4". gas cock shutoff in handle. Akrolite™ construction. Length 10-1/4".



No. 46

Hydrant Wrenches

15 **Hydrant and Spanner Wrench**. Adjusts to a pentagon nut up to 1-3/4" from point to flat or to a square nut up to 1-1/4". Spanner fits 2-1/2" to 4-1/2" rocker or pin lug couplings. Length 19-1/2".



No. 15

17 **Adjustable Hydrant Wrench**. Adjusts to a pentagon nut up to 1-3/4" from point to flat or to a square nut up to 1-1/4". Length 18-5/8".



Wrench Holders

448 **Aluminum Dual Wrench Holder** with two (2) No. 10 spanner wrenches.



No. 17

2443 **Nylon Triple Wrench Holder** with one (1) No. 15 hydrant/spanner wrench and two (2) No. 10 spanner wrenches.

No. 2443



No. 448



ELKHART SPANNER & HYDRANT WRENCHES

Ordering Information

Part No. Description

Spanner Wrenches

T-464 **Universal Spanner Wrench**, fits up to 3-1/2" rocker lug or pin lug couplings. Features window jimmy, gas cock slot, hammer head and hanger loop. Elk-O-Lite® construction.



No. T-464

F-464A **Lightweight Folding Pocket Spanner** has spanner head at one end and window jimmy at other. Fits up to 3-1/2" rocker or pin lug couplings. Elk-O-Lite® construction, length 10-3/8" (open) and 5-7/8" (folded).



No. F-464A

Hydrant Wrenches

S-454 **Adjustable Combination Hydrant and Spanner Wrench**. Adjusts to a pentagon nut up to 1-3/4" or 1-1/2" square nut. Can be used as spanner on 2-1/2" pin lug couplings or rocker lug couplings from 2-1/2" to 5". Length 16-1/2".



No. S-454

S-454S **Adjustable Hydrant Wrench**. Adjusts to a pentagon nut up to 1-3/4" or 1-1/2" square nut. Can be used as spanner on 4" and 5" Storz or on rocker lug couplings from 2-1/2" to 5". Length 21".



No. S-454S

Elk-O-Lite® Wrench Holders

469W **Dual Wrench Holder** with two (2) No. T-464 spanner wrenches.

470W **Triple Wrench Holder** with one (1) No. S-454 hydrant/spanner wrench and two (2) No. T-464 spanner wrenches.



No. 469W



No. 470W

Equipment Holders

350 Mounting Plate

- Chrome plated
- Available in 1" to 6" sizes
- For securing equipment with female threads
- Screw type mount with bolt holes in the center for neat appearance



No. 350

373 E-Z Lok Nozzle Holder

- Available in 1-1/2" and 2-1/2" sizes
- For securing equipment with female threads
- Quick release for fast and easy mounting and removal



No. 373

Tool Brackets

Heavy-duty Tool Brackets with covered jaws for securing various tools. Akrolite™ construction.

39 Horizontal Tool Bracket, 3/4"- 1"

- Fits smaller tools and applicators with 3/4" to 1" O.D.
- Length: 3-7/8"

40 Horizontal Tool Bracket, 1-1/2"- 2-1/2"

- Designed for 1-1/2" and 2-1/2" applicators and other tools such as axe handles with a 1-1/8" to 1-3/4" O.D.
- Length: 4-1/8"



No. 40

41 Vertical Tool Bracket, 3/4" - 1"

- Same as Style 39 except for vertical mount
- Length: 5-3/8"

42 Vertical Tool Bracket, 1-1/2"- 2-1/2"

- Same as Style 40 except for vertical mount
- Length: 5-3/8"



No. 42

9011 Heat Sensor with Laser Sight

- Only 9.5 oz.
- Backlit 7/16" LCD display
- Detects surface temperature of -25° to 950°F
- Includes 9V battery and compact storage case
- D:S-12:1



No. 9011

9011M Mini Heat Sensor with Laser Sight

- Only 8 oz.
- Backlit 7/16" LCD display
- Detects surface temperature of 0° to 525°F
- Includes 9V battery
- D:S-8:1



No. 9011 Mini

Sprinkler Shutoff

1078 Quickfit Sprinkler Shutoff

- Simple, quick, positive shutoff for most types of sprinkler heads
- Allows sprinkler heads out of fire area to be shut off



No. 1078

Ordering Information

Part No.	Description
350	Female NH mounting plate, specify size: 3/4", 1", 1-1/2", 2-1/2", 3", 3-1/2", 4", 4-1/2", 5", 6"
373-1.5	E-Z Lock nozzle holder, 1-1/2"
373-2.5	E-Z Lock nozzle holder, 2-1/2"
39	Horizontal tool bracket, fits 3/4" to 1" O.D.
40	Horizontal tool bracket, fits 1-1/8" to 1-3/4" O.D.
41	Vertical tool bracket, fits 3/4" to 1" O.D.
42	Vertical tool bracket, fits 1-1/2" to 2-1/2" O.D.
9011	Heat sensor with laser sight
9011M	Mini heat sensor with laser sight
1078	Quickfit sprinkler shutoff